

# PARTS LIST

4 TON 6 x 6

DIAMOND T MOTOR CAR CO.



MODELS

968A & 969A

CONTRACT NUMBER

W-398-QM-11509

U. S. A. REGISTRATION NUMBERS

482149 TO 482398      4110736 TO 4112385

4354082 TO 4355081      008686 TO 0010941

TM 10-1532

WAR DEPARTMENT,  
Washington, April 7, 1942

TM 10-1532, Parts List, Trucks,  
4-Ton, 6 x 6, Cargo, Diamond T (Model  
968A), Wrecker, Diamond T (Model 969A)  
published by Diamond T Motor Car Com-  
pany is furnished for the information and  
guidance of all concerned.

(AG 062.11 (4/26/41) PC (C), June 10, 1941.)

By order of the Secretary of War:

G. C. MARSHALL,  
Chief of Staff.

*Official:*  
J. A. ULIO,  
Major General,  
The Adjutant General.

# PARTS LIST

4 TON 6 x 6  
DIAMOND T MOTOR CAR CO.



MODELS

968A, & 969A

SERIALS

968A1350 TO 968A4249

969A0556 TO 969A2811

U. S. A. REGISTRATION NUMBERS

482149 TO 482398

4110736 TO 4112385

4354082 TO 4355081

008686 TO 0010941

CONTRACT NUMBER W-398-QM-11509

*ISSUED BY*

Diamond T Motor Car Company, Service Department  
4517 WEST 26TH STREET, CHICAGO, ILL.

## FOREWORD

In the preparation of this Parts List, the grouping used is that specified by the Quartermaster General's Office, as listed on the following page. Group numbers are composed of four figures, the first two of which index the main group, while the two following figures indicate those sub-groups of parts which comprise the main groups. For example, the Engine Group is 01; the Electrical Group 06; the Front Axle Group 10, etc. Subdivisions such as Connecting Rods and Bearings are 0104; Light Switches and Cables, 0606; Steering Knuckle, Flange and Arm, 1006, etc.

Part numbers are separately listed in numerical order and indexed to the groups in which they may be found, while an alphabetical index to the parts keying them to their group is also provided at the end of this book.

In the body of the list it has been our effort to make the descriptions complete and to use illustrations which are accurate and of practical value.

As many parts used in the models covered by this list were also used in other 4 ton 6x6 models, an asterisk \* has been placed at the right of each line on which parts are interchangeable among all vehicles in this series which were delivered previous to the publication date of this Parts List.

---

### DIAMOND T MOTOR CAR COMPANY

*Factories and Main Parts Warehouses:*

**CHICAGO, ILLINOIS, U. S. A.**

## U. S. Army Q. M. Corps Standard Set-Up for Parts Books and Setting Up of Parts Depots

- 01 Engine Group**  
 0100 Engine Assembly  
 0101 Cylinder Block and Head  
 0102 Crankshaft, Bearings and Caps  
 0103 Pistons, Rings and Piston Pins  
 0104 Connecting Rods and Bearings  
 0105 Valves, Springs, Guides, Tappets  
 0106 Camshaft, Timing, Bearings, Etc.  
 0107 Oil Pump, Oil Pan, Gauge  
 0108 Manifold  
 0109 Flywheel, Ring Gear, Etc.  
 0110 Mountings
- 02 Clutch Group**  
 0200 Clutch Assembly  
 0201 Clutch Disc  
 0202 Cover, Pressure Plate and Springs  
 0203 Release Lever, Bearing, Forks, Etc.  
 0204 Pedal  
 0205 Pilot Bearing
- 03 Fuel System Group**  
 0300 Gasoline Tank  
 0301 Carburetor, Air Cleaner  
 0302 Fuel Pump, Fuel Pump Tube, Hose, Etc.  
 0303 Accelerator, Throttle and Choke  
 0304 Fuel Tank Lines to Gauge  
 0305 Governor
- 04 Exhaust Group**  
 0401 Muffler  
 0402 Pipe and Tail Pipe
- 05 Cooling Group**  
 0501 Radiator Shell and Core, Filler Grille  
 0502 Thermostat and Thermometer  
 0503 Water Pump, Fan, Belt  
 0504 Radiator Mountings  
 0505 Engine Water Fittings and Hose
- 06 Electrical Group**  
 0601 Generator and Regulator  
 0602 Starting Motor  
 0603 Distributor  
 0604 Ignition Coil and Wiring (Spark Plugs, Ignition Lock Clamp)  
 0605 Instruments and Carrier  
 0606 Light Switches and Cables  
 0607 Headlamps, Sealed Beams, Bulbs and Fuses  
 0608 Tail and Auxiliary Lamp  
 0609 Horn  
 0610 Battery, Starting Cables and Connections
- 07 Transmission Group**  
 0700 Transmission  
 0701 Case  
 0702 Gears  
 0703 Main Drive Pinion and Bearings  
 0704 Main Shaft, Countershaft, and Reverse Idler Countershaft  
 0705 Speedometer Drive Gears  
 0706 Shift Forks, Levers, Gearshift Instruction Plate
- 08 Transfer Case Group**  
 0800 Transmission Transfer Assembly  
 0801 Case  
 0802 Drive Gear, Shaft, Bearings  
 0803 Driven Gear, Shaft, Bearings  
 0804 Idler Gear, Shaft, Bearings and Caps  
 0805 Shifter Shafts, Yokes, and Shift Levers  
 0809 Power Take-Off, Transfer Case
- 09 Propeller Shaft and Universal Joint Group**  
 0901 Propeller Shaft Assembly, Hanger and Support  
 0902 Universal Joints
- 10 Front Axle Group**  
 1000 Front Axle Assembly  
 1001 Housing  
 1002 Differential and Carrier Assembly  
 1003 Drive Gear, Pinion and Bearings  
 1006 Steering Knuckle, Flange and Arm
- 1007 Axle Shaft and Universal Joint
- 11 Rear Axle Group**  
 1100 Rear Axle Assembly  
 1101 Housing Assembly  
 1102 Axle Drive Shafts  
 1103 Differential and Carrier Assembly  
 1104 Differential Side Gears and Pinions  
 1105 Drive Gear and Bearings
- 12 Brake Group**  
 1201 Hand Brake  
 1202 Shoes and Facing  
 1203 Brake Shoe Support, Guide, Springs, Adjusting Pins, and Anchor Plate  
 1204 Pedal  
 1205 Air Compressor  
 1206 Tubes and Clips, Brackets, Springs  
 1207 Brake Chamber  
 1208 Brake Dust Shield  
 1209 Brake Lines, Pipes, Hoses  
 1212 Cross Shafts and Pull Rods
- 13 Wheel, Hub and Drum Group**  
 1301 Wheel Assembly, Bearings, Retainers, Etc.  
 1302 Hubs and Drums
- 14 Steering Group**  
 1401 Steering Connecting Rod (Drag Link)  
 1402 Tie Rod  
 1403 Gear Assembly  
 1404 Wheel Assembly  
 1405 Brackets
- 15 Frame and Bracket Group**  
 1500 Frame and Brackets  
 1501 Towing Attachment  
 1502 Pintle Hooks  
 1504 Running Board Hangers  
 1505 Spare Wheel Carrier and Tire Lock
- 16 Spring and Shock Absorber Group**  
 1601 Front and Rear Springs and Spring Bumpers  
 1602 Shackles and Spring Attaching Parts  
 1603 Shock Absorbers and Mountings
- 17 Hood, Fender, Running Board, Apron (Misc. Sheet Metal) Group**  
 1701 Fenders  
 1703 Running Boards  
 1704 Hoods
- 18 Body Group**  
 1800 Cab Body Assy. and Parts  
     Cargo Body Parts List (Model 968A, 968B)  
     Wrecker Body Parts List (Model 969A, 969B)  
     Ponton Body Parts List (Model 970A)  
 1801 Windshield Wiper and Parts  
 1802 Floor Mats
- 19 Winch Assy. — Winch and Control Lever**  
 1900 Winch and Winch Drive Shafts  
 1910 Control Levers and Rods  
 1911 P.T.O. Assembly for Winch  
 1920 Wrecker Unit
- 21 Bumper and Guard Group**  
 2101 Bumpers  
 2103 Radiator Guard
- 22 Miscellaneous Body, Chassis and Accessory Group**  
 2200 Identification and Caution Plates  
 2201 Rear View Mirrors  
 2202 Tarpaulins, Bows, and End Curtains  
 2203 Speedometer and Parts
- 23 General Use, Standardized Parts Group**  
 2300 Miscellaneous Tools, Tire Chains, Extinguishers  
 2304 Miscellaneous Nuts, Bolts, Screws, and Washers  
 2305 Miscellaneous Cotter Pins, Woodruff Keys

PARTS LIST 4 TON 6 x 6 TRUCKS  
DIAMOND T MOTOR CAR COMPANY

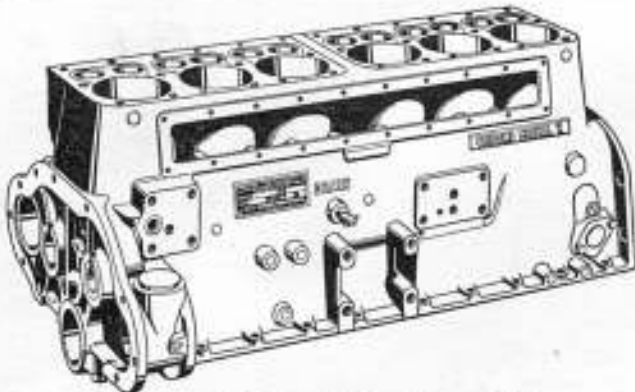
**0100**  
**0102**  
**ENGINE**

**01 — ENGINE**

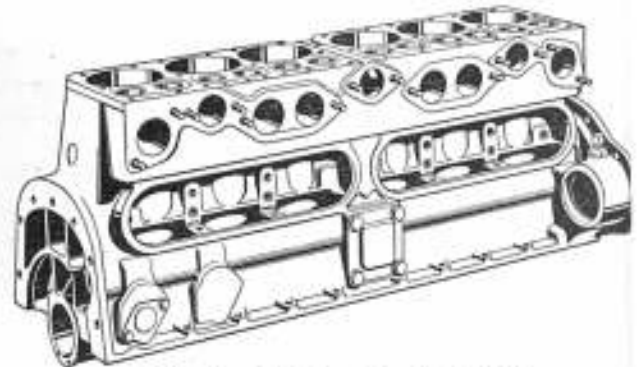
Code	Mfr. No.	Description	Order by this Number	Quantity Required	
<b>0100—Engine Assembly</b>					
	RXC	Engine assembly (Hercules).....	DX5820	1	
<b>0101—Cylinder Block and Head</b>					
16356		Cylinder block—includes bearing caps, valve guides, camshaft bearings and idler gear bearing.....	BB11001	1	
16511		Cylinder block exhaust valve seat insert.....	31130J	6	*
8082		Cylinder block drain cock.....	31249F	1	*
2534		Cylinder block expansion plug (1¼").....	11247R	2	*
665		Cylinder block expansion plug (5⁄8").....	1246R	5	*
565		Cylinder block pipe plug (¾").....	1224R	4	*
7165		Cylinder block pipe plug (1").....	11224F	1	*
15739		Cylinder block oil orifice.....	31357J	1	*
4251		Cylinder block oil orifice plug.....	BB1378	1	*
15133		Cylinder block oil orifice gasket.....	31355J	1	*
4243		Cylinder block oil orifice screw.....	31358J	2	*
4242		Cylinder block oil orifice screw lockwasher.....	31359J	2	*
2129		Cylinder block pressure regulator dowel.....	BB1269	1	*
4790		Cylinder block generator oil seal.....	51244F	1	*
17105A		Cylinder block fuel pump drive pin.....	BB1173	1	*
61A		Cylinder block fuel pump drive pin hole pipe plug.....	11338F	1	*
4879A		Cylinder block fuel pump opening cover.....	31178J	1	*
22564A		Cylinder block fuel pump opening cover gasket.....	31179F	1	*
1048A		Cylinder block fuel pump opening cover screw.....	Y252	2	*
615A		Cylinder block fuel pump opening cover screw L.W. . .	41418R	2	*
17214		Cylinder head — front.....	BB11003	1	
17215		Cylinder head — rear.....	BB11004	1	
16155		Cylinder head gasket.....	BB1005	2	*
1608		Cylinder head cap screw.....	1007R	32	*
1075		Cylinder head pipe plug.....	R24	2	*
17030		Cylinder block gear case cover.....	BB1215	1	*
15024		Cylinder block gear case cover gasket.....	31216F	1	*
352		Cyl. block gear case cover attaching screw (½"x1¼")..	Y285	5	*
8552		Cyl. block gear case cover attaching screw (½"x2¾")..	21216F	2	*
4038		Cyl. block gear case cover attaching screw (½"x3½")..	21217R	1	*
312		Cylinder block gear case cover lockwasher.....	X18	8	*
14236		Cylinder block gear case cover oil seal (accessory shaft).	BB1219	1	*
		Engine gasket set.....	BB11010	1	
<b>0102—Crankshaft, Bearings and Caps</b>					
17527		Crankshaft.....	BB11251	1	
7104		Crankshaft flywheel bolt.....	11266F	4	*
1382		Crankshaft flywheel bolt nut.....	X69	4	*
1710		Crankshaft flywheel bolt cotter.....	Z584	4	*
1707		Crankshaft flywheel dowel.....	1267R	2	*
665		Crankshaft flywheel expansion plug.....	1246R	2	*
15039		Crankshaft gear.....	31251F	1	*
1247		Crankshaft gear key.....	Z215	1	*
		Crankshaft starting crank jaw.....	DT2772A	1	*
1675		Crankshaft starting crank pin.....	1261R	1	*
1739		Crankshaft starting crank pin set screw.....	1262R	1	*
2129		Crankshaft knurled pin.....	BB1269	1	*
14626		Crankshaft oil wick.....	41266F	1	*
14933		Crankshaft oil wick sleeve.....	BB1267	1	*
11137		Crankshaft oil seal.....	11218H	1	*
19053		Crankshaft oil thrower.....	BB1218	1	*

**0102  
ENGINE**

**PARTS LIST 4 TON 6 x 6 TRUCKS  
MODELS 968A, 969A**

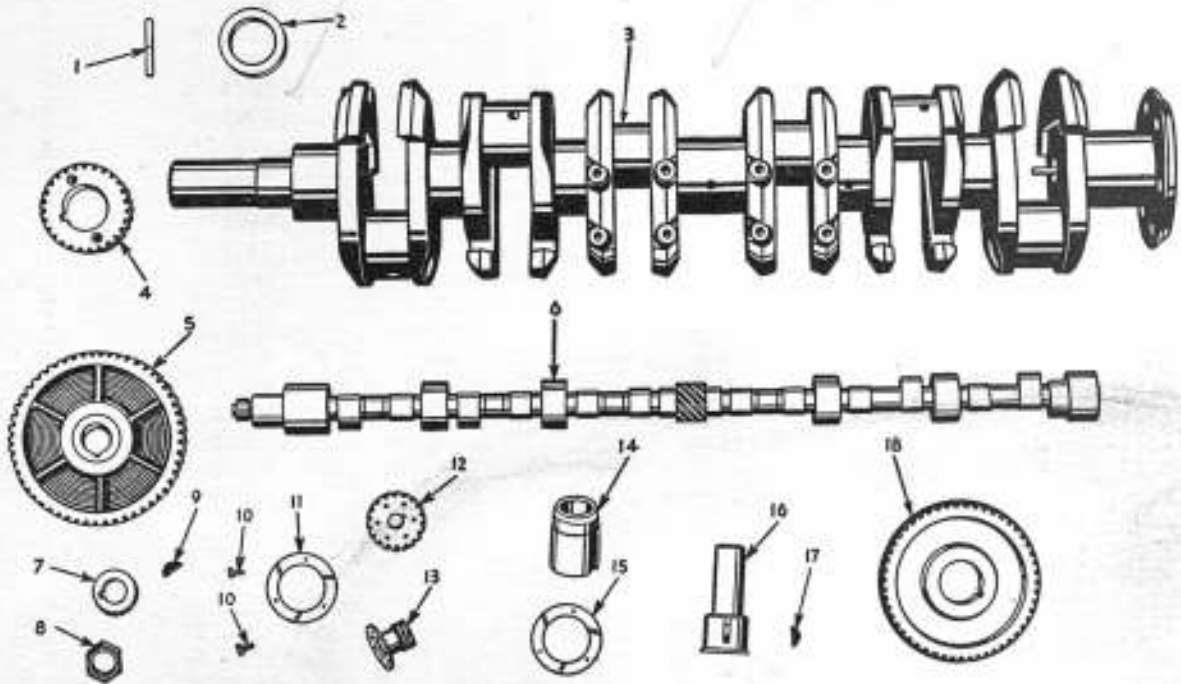


Cylinder Block — Water Pump Side



Cylinder Block — Manifold Side

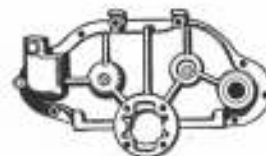
Cylinder block assembly BB11001 covers block casting, with valve guides and inserts, bearing caps but no moving parts.



1. Starting crank jaw pin .....	1261R	10. Governor drive gear screw .....	41323
2. Oil seal (crankshaft) .....	11218H	11. Camshaft thrust washer .....	31312F
3. Crankshaft (gear not included) .....	BB11251	12. Generator drive gear .....	31289
4. Crankshaft gear .....	31251F	13. Governor drive and driven gear .....	51324
5. Camshaft gear .....	31271F	14. Idler shaft bearing .....	41184
6. Camshaft .....	61270J	15. Idler shaft gear thrust washer .....	31312F
7. Camshaft washer .....	61324C	16. Idler shaft .....	BB128
8. Camshaft nut .....	1277R	17. Key (No. 8 Woodruff) .....	Z2
9. Key (No. 15 Woodruff) .....	Z215	18. Idler shaft gear .....	31282



Cylinder head — Front .....BB11003  
Cylinder head — Rear .....BB11004



Gear Case cover .....BB121



PARTS LIST 4 TON 6 x 6 TRUCKS  
DIAMOND T MOTOR CAR COMPANY

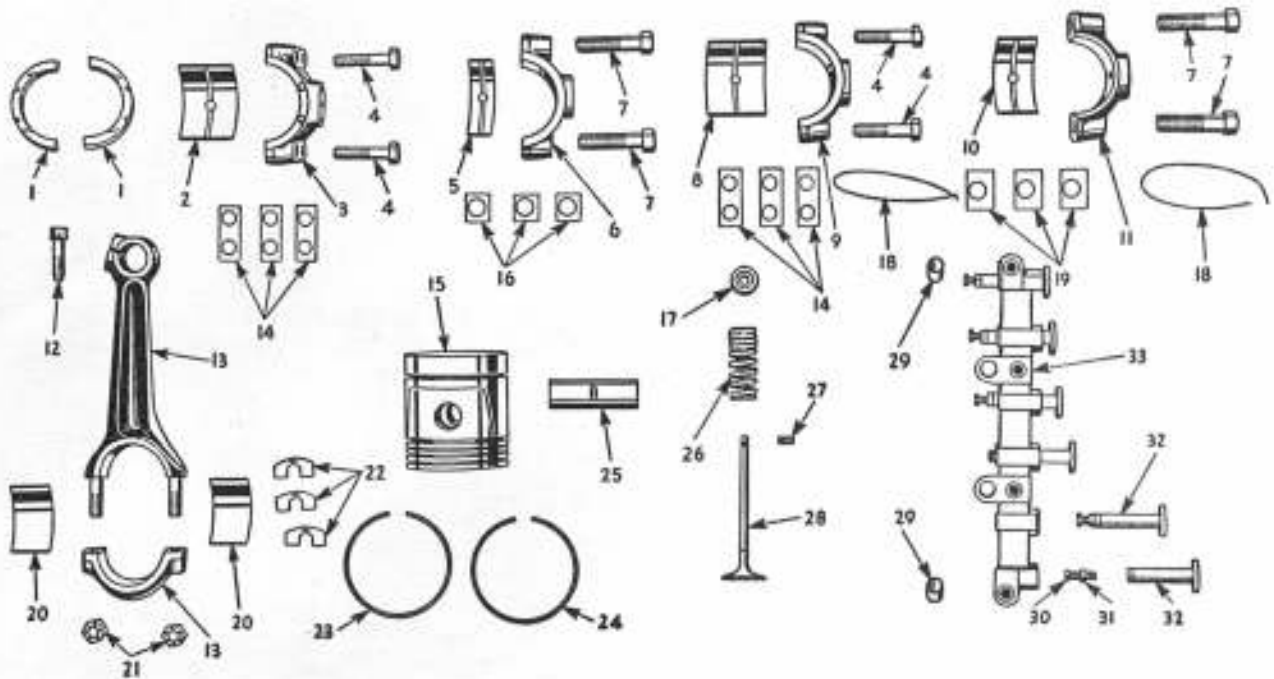
Code	Mfr. No.	Description	Order by this Number	Quantity Required	
17071—std.		Crankshaft front main bearing—std.....	BB1151	2	*
17071—.010 U/S		Crankshaft front main bearing—.010 U/S .....	BB1152	2	*
17071—.020 U/S		Crankshaft front main bearing—.020 U/S .....	BB1153	2	*
17071—.030 U/S		Crankshaft front main bearing—.030 U/S .....	BB1154	2	*
16696B		Crankshaft front main bearing cap .....	BB1155	1	*
17072—std.		Crankshaft center main bearing—std.....	BB1156	2	*
17072—.010 U/S		Crankshaft center main bearing—.010 U/S .....	BB1157	2	*
17072—.020 U/S		Crankshaft center main bearing—.020 U/S .....	BB1158	2	*
17072—.030 U/S		Crankshaft center main bearing—.030 U/S .....	BB1159	2	*
16695B		Crankshaft center main bearing cap .....	BB1160	1	*
17074—std.		Crankshaft intermediate main bearing—std.....	BB1161	8	*
17074—.010 U/S		Crankshaft intermediate main bearing—.010 U/S....	BB1162	8	*
17074—.020 U/S		Crankshaft intermediate main bearing—.020 U/S....	BB1163	8	*
17074—.030 U/S		Crankshaft intermediate main bearing—.030 U/S....	BB1164	8	*
16697B		Crankshaft intermediate main bearing cap.....	BB1165	4	*
17073—std.		Crankshaft rear main bearing—std.....	BB1166	2	*
17073—.010 U/S		Crankshaft rear main bearing—.010 U/S .....	BB1167	2	*
17073—.020 U/S		Crankshaft rear main bearing—.020 U/S .....	BB1168	2	*
17073—.030 U/S		Crankshaft rear main bearing—.030 U/S .....	BB1169	2	*
16694B		Crankshaft rear main bearing cap .....	BB1170	1	*
		Main bearing set — std. ....	BB11020	1	*
		Main bearing set — .010 U/S .....	BB11021	1	*
		Main bearing set — .020 U/S .....	BB11022	1	*
		Main bearing set — .030 U/S .....	BB11023	1	*
80172		Crankshaft rear main bearing flange.....	BB1174	4	*
4765		Crankshaft rear main bearing flange dowel.....	51166F	4	*
80164		Crankshaft front main bearing shim—.002.....	BB1175	as req'd	*
80165		Crankshaft front main bearing shim—.003.....	BB1176	6	*
80168		Crankshaft center and rear main bearing shim—.002..	BB1178	as req'd.	*
80169		Crankshaft center and rear main bearing shim—.003..	BB1179	12	*
80166		Crankshaft intermediate main bearing shim—.002...	BB1171	as req'd.	*
80167		Crankshaft intermediate main bearing shim—.003...	BB1177	24	*
15103		Crankshaft front and inter. main bearing cap screw..	31174F	10	*
1703		Crankshaft center and rear main bearing cap screw..	1172R	8	*
267		Crankshaft main bearing screw lockwire.....	1104R	16	*

## 0103—Pistons, Rings, and Piston Pins

16519—std.		Piston with pin—std.....	BB11060	6	
16519—.010 O/S		Piston with pin—.010 O/S.....	BB11061	6	
16519—.020 O/S		Piston with pin—.020 O/S .....	BB11062	6	
16519—.030 O/S		Piston with pin—.030 O/S .....	BB11063	6	
16519—.040 O/S		Piston with pin—.040 O/S .....	BB11064	6	
16519—.050 O/S		Piston with pin—.050 O/S.....	BB11065	6	
16519—.060 O/S		Piston with pin—.060 O/S.....	BE11066	6	
16519—S.F		Piston with pin—Semi-finished.....	BB11067	6	
15929—std.		Piston pin—std.....	51080M	6	
15929—.003 O/S		Piston pin—.003 O/S .....	51081M	6	
15929—.005 O/S		Piston pin—.005 O/S .....	51082M	6	
3824—std.		Piston compression ring—std. ....	BB11070	24	
3824—.010 O/S		Piston compression ring—.010 O/S.....	BB11071	24	
3824—.020 O/S		Piston compression ring—.020 O/S.....	BB11072	24	
3824—.030 O/S		Piston compression ring—.030 O/S.....	BB11073	24	
3824—.040 O/S		Piston compression ring—.040 O/S.....	BB11074	24	
3824—.050 O/S		Piston compression ring—.050 O/S.....	BB11075	24	
3824—.060 O/S		Piston compression ring—.060 O/S.....	BB11076	24	
3923—std.		Piston oil regulator ring—std.....	BB11077	6	
3923—.010 O/S		Piston oil regulator ring—.010 O/S.....	BB11078	6	
3923—.020 O/S		Piston oil regulator ring—.020 O/S .....	BB11079	6	
3923—.030 O/S		Piston oil regulator ring—.030 O/S.....	BB11080	6	
3923—.040 O/S		Piston oil regulator ring—.040 O/S.....	BB11081	6	
3923—.050 O/S		Piston oil regulator ring—.050 O/S.....	BB11082	6	
3923—.060 O/S		Piston oil regulator ring—.060 O/S.....	BB11083	6	

**0102  
0104  
ENGINE**

**PARTS LIST 4 TON 6 x 6 TRUCKS  
MODELS 968A, 969A**



1. Rear main bearing flange .....	BB1174	18. Lockwire .....	1104R
2. Rear main bearing (std.) .....	BB1166	19. Front main bearing shim (.002) .....	BB1175
3. Rear main bearing cap .....	BB1170	20. Connecting rod bearing (std.) .....	BB1094
4. Rear and center main bearing cap screw .....	1172R	21. Connecting rod cap nut .....	11101F
5. Intermediate bearing (std.) .....	BB1161	22. Connecting rod shim (.002) .....	BB1098
6. Intermediate bearing cap .....	BB1165	23. Piston ring (comp.) (std.) .....	BB11070
7. Intermediate and front bearing cap screw .....	31174F	24. Piston ring (oil) (std.) .....	BB11077
8. Center main bearing (std.) .....	BB1156	25. Piston pin (std.) .....	51080M
9. Center bearing cap .....	BB1160	26. Valve spring .....	11127R
10. Front main bearing (std.) .....	BB1151	27. Valve spring seat pin .....	51129J
11. Front bearing cap .....	BB1155	28. Valve (exhaust) .....	31124F
12. Piston pin clamp screw .....	1103R	28. Valve (intake) .....	31125F
13. Connecting rod .....	BB1090	29. Valve cluster dowel .....	31107F
14. Center and rear main bearing shim (.002) .....	BB1178	30. Valve tappet adj. screw .....	31116J
15. Piston with pin (std.) .....	BB11060	31. Locknut .....	51117R
16. Intermediate bearing shim (.002) .....	BB1171	32. Valve tappet .....	BB1111
17. Valve spring seat .....	11128R	33. Valve tappet cluster .....	31105F

