

**PARTS LIST
AND ILLUSTRATIONS**

INTERNATIONAL

5-TON 4x2 DUMP TRUCK

MODEL KR-11

Built for

UNITED STATES ARMY

CONTRACT NUMBERS:

W-271-ORD-2831

W-2425-QM-663

U.S.A. REGISTRATION NUMBERS:

W-542304 to W-543493 inclusive

INTERNATIONAL HARVESTER COMPANY

CHICAGO, ILLINOIS

TM 10-1682

WAR DEPARTMENT

Washington, April 17, 1943

TM 10-1682, Parts List, Truck, 5-Ton
4 x 2, International (Model KR-11), published by
the International Harvester Company, is furnished
for the information and guidance of all concerned,
(AG 062.11 (4/26/41) PC (C), June 10, 1941.)

By order of the Secretary of War.

G. C. MARSHALL
Chief of Staff

Official,
J. A. ULIO
Major General
Technical General

TM 10-1682 PARTS LIST AND ILLUSTRATIONS

INTERNATIONAL 5-TON 4x2 DUMP TRUCK MODEL KR-11

**Built for
UNITED STATES ARMY**

U.S.A. Contract Numbers { W-271-ORD-2831
W-2425-QM-663

Shipping Order Number	Quantity of Trucks	Wheel-base (Inches)	U.S.A. Registration Numbers	Chassis Serial Numbers	Type of Body
				FW-11-RME	

INTERNATIONAL HARVESTER COMPANY
CHICAGO, ILLINOIS

May 28, 1943

SECTION INDEX	
ENGINE	01
CLUTCH	02
FUEL SYSTEM	03
EXHAUST SYSTEM	04
COOLING SYSTEM	05
ELECTRICAL	06
TRANSMISSION	07
PROPELLER SHAFT	09
AXLE, FRONT	10
AXLE, REAR	11
BRAKES	12
WHEELS	13
STEERING GEAR	14
FRAME	15
SPRINGS	16
HOODS, FENDERS, RUNNING BOARDS	17
BODY AND CAB	18
HOIST	20
BUMPERS	21
MISC. BODY, CHASSIS ACCESSORIES	22
GENERAL USE STANDARDIZED PARTS	23
NUMERICAL INDEX	25

NOTICE

- (1) The first page of each section in the book has a numbered black tab which lines up with the corresponding section name and number on the right-hand edge of this sheet. The black tabs are quickly located by bending the book back.
- (2) The parts are listed in a standardized arrangement according to functional groups and sub-groups for the U. S. Army Parts Depots. A system of U.S.A. code numbers has been assigned to the groups by the Office of the Quartermaster General. The first two digits represent the main group and the last two digits cover sub-groups, and are shown on the following pages.
- (3) “Exploded” illustrations of the various units of truck are shown. These cuts show a “reference number” and are supplemented with an index showing IHC part numbers and U.S.A. code (or group) numbers, under which description, etc. of parts will be found.
- (4) A numerical index of IHC part numbers appears on page 201, and contains U.S.A. code numbers.
- (5) The symbol # appearing before the part number indicates that it is also used on commercial trucks.

STANDARDIZED ARRANGEMENT OF PARTS BOOK

The Code Numbers Have Been Assigned by the Office of the
Quartermaster General

01 Engine Group	Page	07 Transmission Group	Page
0100 Engine Assembly	9	0700 Transmission Assembly	93
0101 Cylinder Block and Head	9	0701 Case	93
0102 Crankshaft, Bearings and Caps	11	0703 Main Drive Pinion and Bearings	93
0103 Pistons, Rings and Piston Pins	14	0704 Main Shaft, Countershaft, and Reverse Idler Shaft, Gears	96
0104 Connecting Rods and Bearings	14	0705 Speedometer Gears	97
0105 Valves, Springs, Inserts, Guides, Tappets, Etc., Lifts, Rocker Arm and Shaft	15	0706 Shift Forks, Rails, and Control Lever, Housing	97
0106 Camshaft, Timing, Bearings, Etc.	17		
0107 Oil Pump, Oil Pan, Gauge, Oil Filter	17	09 Propeller Shaft and Universal Joint Group	
0108 Manifolds	23	0901 Propeller Shaft Assembly, Tubes and Flanges	99
0109 Flywheel, Ring Gear, Housing	25	0902 Universal Joints	99
0110 Mounting Parts	25		
		10 Front Axle Group	
02 Clutch Group		1000 Front Axle Assembly	103
0201 Clutch Assembly and Disc	29	1007 Steering Knuckles, and Arms	103
0202 Cover, Pressure Plate, Backing Plate, Springs	29		
0203 Release Lever, Bearing, Forks, Etc.	29	11 Rear Axle Group	
0204 Pedal and Shaft	31	1100 Rear Axle Assembly	106
0205 Pilot Bearing	31	1101 Housing Assembly	106
0207 Clutch Housing	31	1102 Axle Drive Shafts	106
		1103 Differential, Carrier Assembly and Bearings	106
03 Fuel System Group		1104 Drive Gear, Pinion and Bearings	108
0300 Fuel Tank and Tank Gauge	32		
0301 Carburetor, Air Cleaner	33	12 Brakes Group	
0302 Fuel Pump and Fuel Filter	39	1201 Hand Brake and Parts	109
0303 Accelerator, Throttle and Choke	43	1202 Shoes and Lining	111
0304 Fuel Lines	43	1203 Backing Plates, Springs, Pins, Etc.	113
0305 Governor (see Group 0301)	33	1204 Pedal and Connections	119
0306 Fuel Filter	44	1208 Brake Dust Shields	122
		1213 Air Compressor, Piping, and Controls	122
04 Exhaust Group			
0401 Muffler	47	13 Wheels, Hubs and Drums Group	
0402 Pipe and Tail Pipe	47	1301 Wheel Assembly, Bearings, Retainers, Etc.	147
		1302 Hubs, Brake Drums, Wheel Studs, Nuts	147
05 Cooling Group			
0501 Radiator Shell, Core, Filler Cap and Grille	49	14 Steering Group	
0502 Thermostat	49	1401 Steering Connecting Rod (Drag Link)	149
0503 Water Pump, Fan, Belt	51	1402 Tie Rod	149
0504 Radiator Mounting	52	1403 Gear Assembly	150
0505 Engine Water Fittings and Hose	52	1404 Wheel Assembly	154
		1405 Brackets	154
06 Electrical Group			
0601 Generator and Regulator	53	15 Frame and Brackets Group	
0602 Starting Motor and Switches	63	1501 Towing Hook	155
0603 Distributor	71	1502 Pintle Hook	155
0604 Ignition Coil and Wiring (Ignition Switch, Lamp	75	1503 Spring Brackets	157
0605 Instruments	77	1504 Running Board Brackets	157
0606 Light Switches and Cables	78	1505 Spare Wheel Carrier and Tire Lock	157
0607 Head Lamps	85	1506 Frame, Side Rails and Crossmembers	160
0608 Tail and Stop Lamp	89		
0609 Horn	89		
0610 Battery, Starting Cables and Connections	92		

STANDARDIZED ARRANGEMENT OF PARTS BOOK

(Continued)

16 Springs and Shock Absorbers Group Page

1601	Front and Rear Springs and Spring Bumpers	161
1602	Shackles and Spring Attaching Parts	163
1603	Shock Absorbers	165

17 Hoods, Fenders, Running Boards, Aprons (Miscellaneous Sheet Metal) Group

1701	Fenders and Supports	168
1702	Engine Side Pans	169
1703	Running Boards	169
1704	Hood	169

18 Body Group

1801	Windshield, Wiper and Parts	171
1802	Floor Boards, Toeboards, Weather Seals	174
1803	Cab Mounting Parts and Battery Box	175
1804	Cab Seat and Back Cushion	176
1805	Cab Doors, Handles, Locks and Window Fittings	176
1807	Cab Body Parts	178
	Dump Body Parts	182
1809	Cab Door, Window and Windshield Glass	183

20 Hoist and Power Take-Off Page

2000	Hoist Assembly	185
2001	Hoist Parts	185
2010	Power Take-Off	193

21 Bumpers and Guards Group

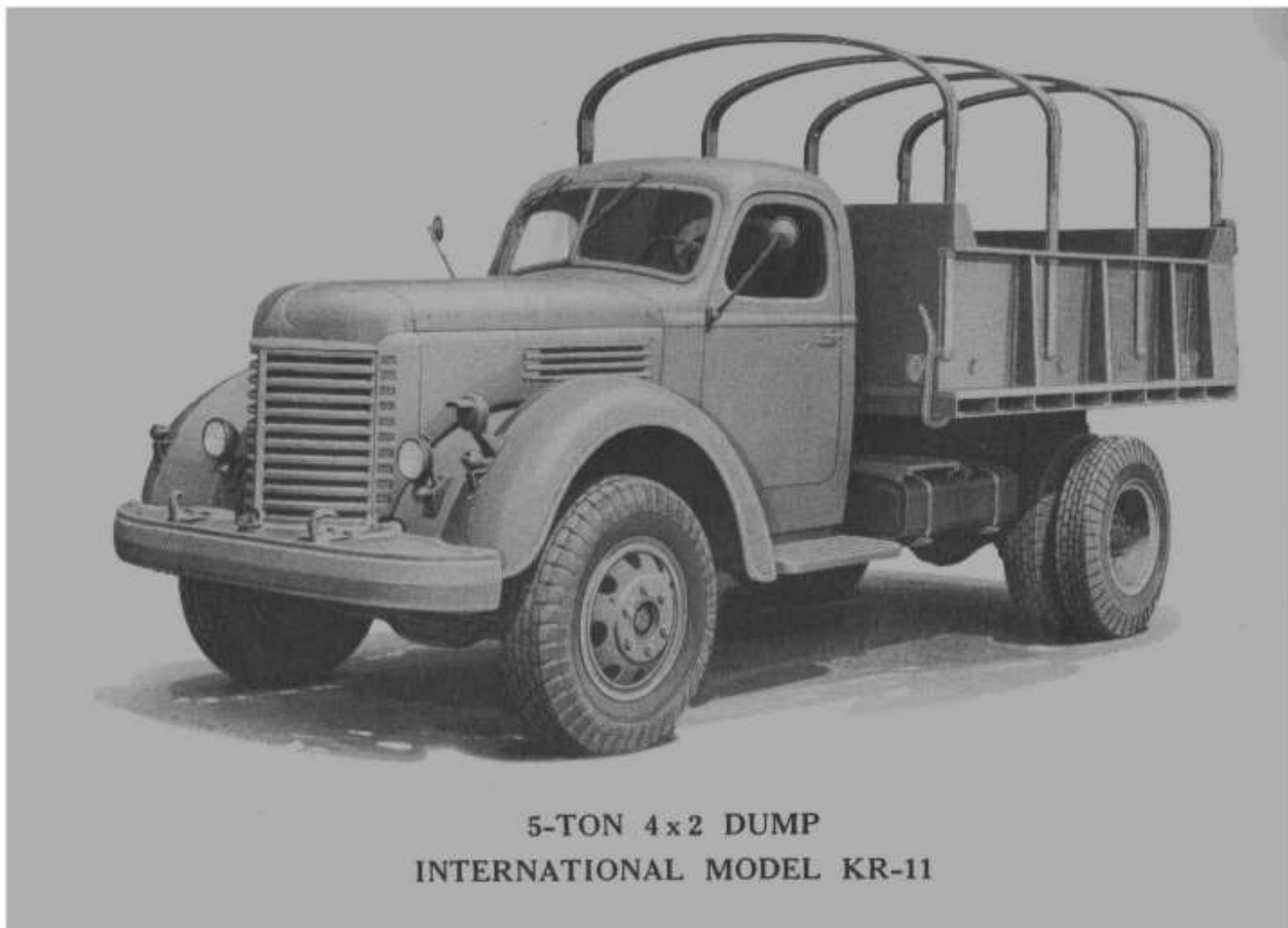
2101	Bumpers	194
2102	Bumper Brackets	194

22 Miscellaneous Body, Chassis and Accessories Group

2201	Tarpaulins, Bows, End Curtains	195
2202	Rear-View Mirrors	195
2203	Identification and Caution Plates	195
2204	Speedometers and Drive Parts	196

23 General Use, Standardized Parts

2303	Tires and Tubes, Valve and Cap, Skid Chains	197
2306	Tools and Service Equipment	197



5-TON 4x2 DUMP
INTERNATIONAL MODEL KR-11

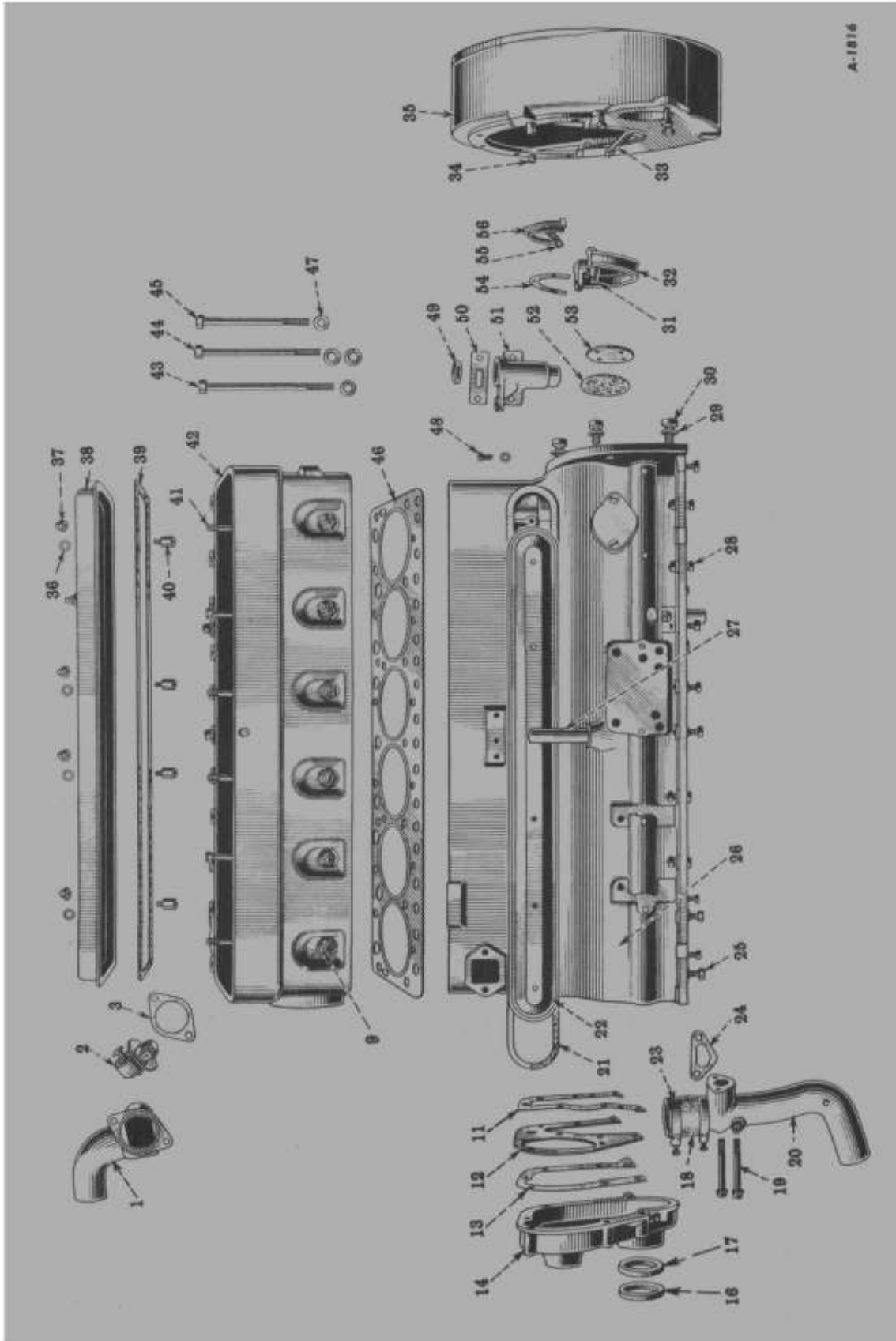


**The Publication data plate is located on the instrument panel,
inside the cab, above the starter push button switch.**

01 - ENGINE (Model RED-450—4³/₈ x 5")

PLATE No. 1

CYLINDER HEAD, CRANKCASE, FLYWHEEL HOUSING, GEAR CASE COVER



A-1816

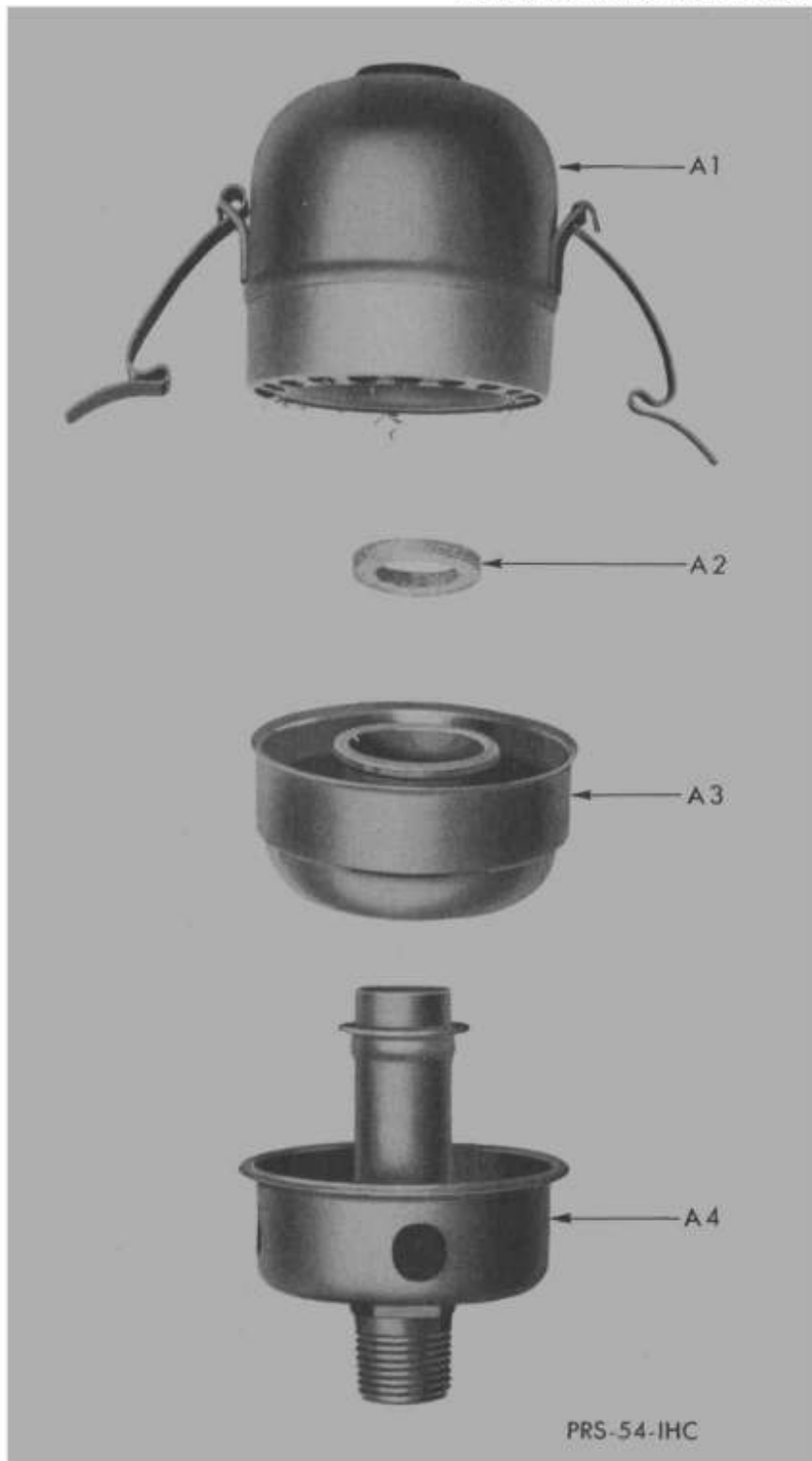
U numbered parts in the illustrations are the same as L. r. corresponding parts shown with numbers
Reference numbers only appear in the illustration. Refer to list of r. part numbers

01 - ENGINE (Model RED-450-4³/₈ x 5")

01

INDEX TO REFERENCE NUMBERS SHOWN ON PLATE NO. 1

REF. No.	I H C PART No.	U.S.A. GROUP No.	REF. No.	I H C PART No.	U.S.A. GROUP No.
1	61493 H	0505	33	16016 D	0109
2	50968 H	0 02	34	105906 H	0109
3	16074 D	0505	35	61541 H	0109
9	108074 H	2314	36	{ PLAIN WASHER, 13/32x13/16"	0101
11	16170 D	0101	37	25170 H	0101
12	54647 H	0101	38	61487 HX	0101
13	54648 H	0101	39	61488 H	0101
14	118630 HX	0101	40	{ 16179 D 45496 H	0101
16	116456 H	0503	41	{ 61469 H 136372 HX	0105
17	116457 H	0503	42	{ 136372 H 118643 H	0101
18	16077 D	0505	43	118641 H	0101
19	Q 40 8	0505	44	18645 H	0101
20	84162 HAY	0505	45	18645 H	0101
21	61482 H	0105	46	61483 HA	0101
22	61481 HA	0105	47	58516 H	0101
23	91406 HA	0505	48	Q 40 3	0603
24	16076 D	0505	49	39783 H	0603
25	Q 1800	0107	50	54613 H	0603
26	{ 118552 H 118555 H	0101	51	54612 H	0603
27	54611 H	0603	52	62275 VA	0106
28	Q 1804	0107	53	62274 VA	0106
29	75704 H	0109	54	16122 DA	0102
30	50636 H	0109	55	33688 H	0102
31	33688 H	0102	56	6038 DB	0102
32	6037 DB	0102			

01 - ENGINE (Model RED-450—4³/₈ x 5")**PLATE No. 1A
CYLINDER HEAD COVER BREATHER**

REF. No.	I H C PART No.	U.S.A. GROUP No.
A1	131491 H	0101
A2	131498 H	0101
A3	131499 HX	0101
A4	131502 HX	0101

Unnumbered parts in the illustrations are the same as corresponding parts shown with numbers.
Reference numbers only appear in the illustrations. Refer to list for part numbers